

PBX63XA-MM

All stainless steel pressure gauge

"A lot of value for a competitive price"

STIKO

MEETAPPARATENFABRIEK BV

FOR THE PRICE-CONSCIOUS BUYER

- **RUGGED**
- **DURABLE**
- **SAFE**
- **RELIABLE**
- **ACCURATE**
- **STOCK ITEM**



SPECIFICATIONS

Case

Stainless steel AISI-304; Fillable; IP-65
Bayonet ring: polished stainless steel AISI-304

Socket

Welded to case
1/4" BSP Male / Stainless steel AISI-316L
1/4" NPT Male / Stainless steel AISI-316L
Includes internal thread to mount restrictor screw
for pulsation dampening

Measuring element

Bourdon tube, Stainless Steel AISI-316L

Movement

Stainless steel AISI-304 with min. needle stop.

Range

Vacuum, compound
0-0.6-400 bar (0-8.5-5,800 psi)

Accuracy

+/-1.6% Full scale or better

Blow-out protection

Yes: top mounted

Pointer

Aluminium, black

Dial

White face with black printing
Individual serial number for traceability

Scale

Single (bar) with 1/4" BSP
Dual (bar-Psi) with 1/4" NPT

Window

Laminated safety glass (marked SG)

Fillable

Yes: Glycerine ($t_{\text{ambient}} = 0^{\circ}\text{C} \dots +60^{\circ}\text{C}$)
Silicone Oil ($t_{\text{ambient}} = -40^{\circ}\text{C} \dots +60^{\circ}\text{C}$)

Temperature range

Ambient: $-20^{\circ}\text{C} \dots +60^{\circ}\text{C}$ (dry)
Process: $+100^{\circ}\text{C}$ maximum

| Range | | Range | |
|---------|-------------------|-------|--------------|
| [bar] | [InHg / psi] | [bar] | [InHg / psi] |
| -1/0 | -30InHg / 0 InHg | 0-4 | 0-58 psi |
| -1/0.6 | -30InHg / 8.5 psi | 0-6 | 0-87 psi |
| -1/+1.5 | -30InHg / 21 psi | 0-10 | 0-145 psi |
| -1/+3 | -30InHg / 43 psi | 0-16 | 0-232 psi |
| -1/+5 | -30InHg / 70 psi | 0-25 | 0-362 psi |
| -1/+9 | -30InHg / 130 psi | 0-40 | 0-580 psi |
| -1/+15 | -30InHg / 210 psi | 0-60 | 0-870 psi |
| 0-0.6 | 0-8.5 psi | 0-100 | 0-1450 psi |
| 0-1 | 0-14.5 psi | 0-160 | 0-2320 psi |
| 0-1.6 | 0-23 psi | 0-250 | 0-3625 psi |
| 0-2.5 | 0-36 psi | 0-400 | 0-5800 psi |

A pleasure to measure!

PBX63XA-MM

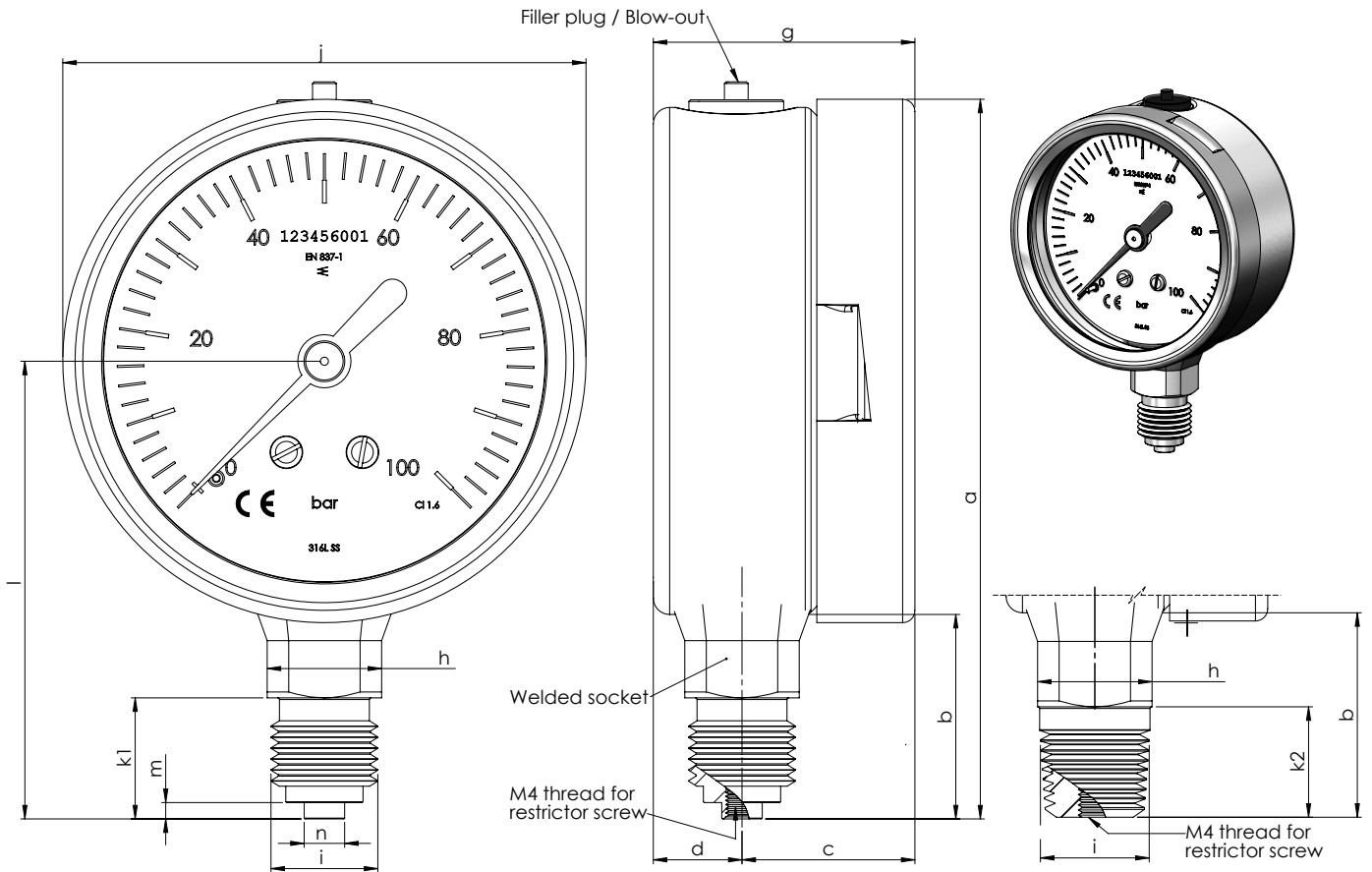
All stainless steel pressure gauge

"A lot of value for a competitive price"

STIKO

FOR THE PRICE-CONSCIOUS BUYER

MEETAPPARATENFABRIEK B.V



| Dim. | Type | a | b | c | d | g | h | i | j | k1 | k2 | l | m | n | Weight |
|-------------|------|------|------|------|------|------|-----------|-------------|------|------|------|-----|------|-------|---------|
| Metric [mm] | BSP | 88 | 25 | 21.2 | 10.8 | 32 | Hex 14 | 1/4" BSP | 64 | 14.8 | --- | 56 | 2 | 4.95 | 0.16 kg |
| US [inch] | | 3.46 | 0.98 | 0.83 | 0.43 | 1.26 | | | 2.52 | 0.58 | --- | 2.2 | 0.08 | 0.195 | 0.35 lb |
| Metric [mm] | NPT | 88 | 25 | 21.2 | 10.8 | 32 | | 1/4" NPT | 64 | --- | 13.5 | 56 | --- | 4.95 | 0.16 kg |
| US [inch] | | 3.46 | 0.98 | 0.83 | 0.43 | 1.26 | | | 2.52 | --- | 0.53 | 2.2 | --- | 0.195 | 0.35 lb |

Note: 3D versions are available upon request.

*A pleasure
to measure!*

Stiko Meetapparatenfabriek B.V.
 Industrieweg 5
 9301 LM - Roden
 The Netherlands
 Phone: +31-(0)50-5013813
 Email: sales@stiko.nl
 Internet: www.stiko.nl