



Product highlights

- For corrosive gasses and liquids
- Class 1.6 according to EN 837-1
- Wetted parts: Stainless steel
- Case with removable bezel ring
- Lloyds Register Approval
- Option: Liquid-filled for applications with pulsations or vibrations
- Option: Case material 1.4404 (316L) for aggressive atmosphere



Technical data

Housing

Nominal size	63 mm
Case material	Stainless steel 1.4404 / AISI 316L
Type of housing	<ul style="list-style-type: none"> ■ Removable bezel ring ■ Crimped bezel ring (option 0133 mandatory)
Bezel ring material	Stainless steel 1.4404 / AISI 316L
Window material	Instrument glass
Window gasket	Elastomer
Protection rating (EN 60529)	IP65
Dial	White, aluminium
Pointer	Black, PVA
Movement material	Stainless steel
Safety according to EN 837-1	S1, with window polycarbonate or laminated safety glass

Temperature

Ambient temperature	-20°C ... +70°C
Storage temperature	-40°C ... +70°C
Media temperature	-40°C ... +200°C (not filled)

Wetted parts

Process connection material	Stainless steel 1.4404 / AISI 316L
Bourdon tube	Stainless steel 1.4404 / AISI 316L

Performance

Accuracy according to Class 1.6 EN 837-1	
Min. measuring range	0 ... 1 bar
Max. measuring range	0 ... 1000 bar
Type of pressure	<ul style="list-style-type: none"> ■ Gauge ■ Compound ■ Vacuum
Pressure limitation	<ul style="list-style-type: none"> ■ Steady: 75 % of full scale value ■ Fluctuating: 65 % of full scale value ■ Short time: 100 % of full scale value
Temperature coefficient at +20°C	± 0.4 % FS/10K

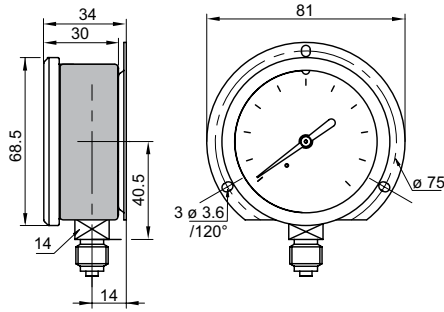
Weight

Gauge	<ul style="list-style-type: none"> ■ 130 g unfilled ■ 180 g filled
-------	--

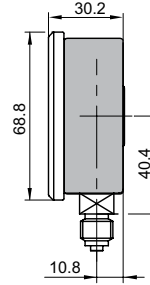
Approval / Conformities

ATEX	Ex II 2 GDC-IM2c
------	------------------

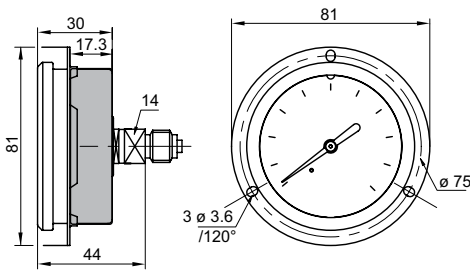
Technical drawings



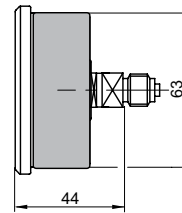
Type A



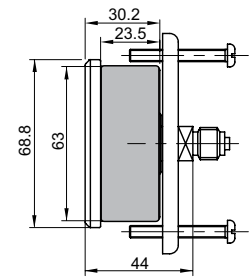
Type D



Type B
Panel cut-outs: $\varnothing = 65.5$ mm



Type F



Type G
Panel cut-outs: $\varnothing = 65.5$ mm

Ordering reference

Order key

	MEX	3	-	x	x	x	.	xxx
Product	MEX							
MEX Industrial pressure gauge	MEX							
Dimension								
Nominal size 63 mm		3						
Case								
Bottom connection, 3 Back lugs fixing for wall mounting, Case 1.4404 (316L)								1
Back connection, frontflange, 3 holes for panel mounting, Case 1.4404 (316L)								2
Bottom connection, Case 1.4404 (316L)								4
Back connection, Case 1.4404 (316L)								6
Back connection, frontflange and fixing clamp for panel mounting, Case 1.4404 (316L)								7
Process connection								
G 1/4								2
1/4 - 18 NPT								5
G 1/8								1
M10x1								7
Damping fluid								
Without damping fluid								0
BH1, Glyzerin 86 %								1
BH2, Glyzerin 99 %								2
BH3, Silicone oil								3
BH4, Low temperature silicone oil								4
BH5, Fluorinated oil								5
Measuring range⁽¹⁾								
bar (EN)								Bxx
kPa (EN)								Dxx
MPa (EN)								Exx
kg/cm ² (EN)								Fxx
psi (ANSI)								Hxx
bar/psi (EN)								Kxx
psi/bar (ANSI)								Sxx
psi/kPa (ANSI)								Vxx
kPa/psi (EN)								Wxx
mbar (EN)								Nxx

Preferred Types

⁽¹⁾ Available standard pressures ranges, see table in section pressure ranges. For ranges not listed, please contact Bourdon

Ordering reference
Pressure ranges

Code	Bar	Code	kPa	Code	kg/cm ²	Code	psi ¹⁾
B59	-1 ... 0	D59	-100 ... 0	F59	-1 ... 0	H59	-30" Hg ... 0
B72	-1 ... 0.6	D72	-100 ... 60	F72	-1 ... 0.6	H73	-30" Hg ... 15
B74	-1 ... 1.5	D74	-100 ... 150	F74	-1 ... 1.5	H75	-30" Hg ... 30
B76	-1 ... 3	D76	-100 ... 300	F76	-1 ... 3	H2C	-30" Hg ... 60
B77	-1 ... 5	D77	-100 ... 500	F77	-1 ... 5	H78	-30" Hg ... 100
B79	-1 ... 9	D79	-100 ... 900	F79	-1 ... 9	H79	-30" Hg ... 150
B81	-1 ... 15	D81	-100 ... 1 500	F81	-1 ... 15	H81	-30" Hg ... 220
B82	-1 ... 24	D82	-100 ... 2 400	F82	-1 ... 24	H82	-30" Hg ... 300
B15	0 ... 1	D15	0 ... 100	F15	0 ... 1	H15	0 ... 15
B16	0 ... 1.6	D16	0 ... 160	F16	0 ... 1.6	H1C	0 ... 20
B18	0 ... 2.5	D18	0 ... 250	F18	0 ... 2.5	H17	0 ... 30
B19	0 ... 4	D19	0 ... 400	F19	0 ... 4	H19	0 ... 60
B20	0 ... 6	D20	0 ... 600	F20	0 ... 6	H21	0 ... 100
B22	0 ... 10	D22	0 ... 1 000	F22	0 ... 10	H22	0 ... 160
B24	0 ... 16	D24	0 ... 1 600	F24	0 ... 16	H23	0 ... 200
B26	0 ... 25	D26	0 ... 2 500	F26	0 ... 25	H25	0 ... 300
B27	0 ... 40	D27	0 ... 4 000	F27	0 ... 40	H26	0 ... 400
B29	0 ... 60	D29	0 ... 6 000	F29	0 ... 60	H27	0 ... 600
B31	0 ... 100	D31	0 ... 10 000	F31	0 ... 100	H30	0 ... 1 000
B33	0 ... 160	D33	0 ... 16 000	F33	0 ... 160	H31	0 ... 1 500
B35	0 ... 250	D35	0 ... 25 000	F35	0 ... 250	H34	0 ... 3 000
B38	0 ... 400	D38	0 ... 40 000	F38	0 ... 400	H38	0 ... 6 000
B39	0 ... 600 ¹⁾	D39	0 ... 60 000 ¹⁾	F39	0 ... 600 ¹⁾		
B41	0 ... 1 000 ¹⁾			F41	0 ... 1 000 ¹⁾		

Options

ATEX II2GDc T6-IM2c ⁽¹⁾	0078	Accuracy class 1,0	0841
Adjustable friction pointer	0679	2.1 certificate	Q001
Pointer aluminium, black	0683	2.2 certificate	Q002
Laminated safety glas	0751	3.1 material certificate	Q003
Polycarbonate (Makrolon)	0753	3.1 calibration certificate 5 pts. (rising)	Q008
Restrictor screw 0,3 mm	0769	3.1 calibration certificate 5 pts. (EN837)	Q009
Solid drawn bourdon tube	0816		

⁽¹⁾ Only with window laminated safety glass

Ordering reference

Ordering example

MEX 3 - 4 2 0 . B22 / Q001

Product

MEX Industrial pressure gauge

Dimension

Nominal size 63 mm

Case

Bottom connection, Case 1.4404 (316L)

Process connection

G 1/4

Damping fluid

Without damping fluid

Measuring range

0...10 bar (EN)

Certificate

2.1 certificate