

STAINLESS STEEL SERIES, DIN BAYONET RING, LIQUID FILLABLE MODEL: 1323



Specifications:

Norminal size:

63mm, 100mm, 150mm and 160mm

Design:

EN 837-1

Accuracy class:

63mm: 1.6

100mm, 150mm and 160mm: 1.0

Scale range:

Pressure: 0-0.6 to 1000bar

Vacuum: -1bar to 0

Compound: -1 to 24bar

or other equivalent units of pressure or vacuum

Operating temperature:

Ambient: -40+60 deg C without liquid filled

-20+60 deg C with glycerin filled

Medium: +200 deg C maximum without liquid filled

+100 deg C maximum with liquid filled

Protection class: IP 66

Material:

Case: AISI 304 stainless steel

Bezel ring: AISI 304 DIN bayonet ring

Window: Toughened glass

Applications:

- For gaseous and liquid aggressive media that are not highly viscous or crystallizable, also in aggressive ambience.
- With liquid filled version for high dynamic pressure vibration.
- Process industries including chemical plants, petrochemical refineries, pharmaceutical, food and beverage processing, offshore oil platforms, papermills, salt mines, fertilizer plants and on shipboard

Features:

- Laser welding between case and connection
- Over range protection 1.3 times max
- Liquid filled or dry
- All stainless steel
- 0-1000bar

Liquid filling: Dry but fillable as standard, glycerine or silicone oil fillable

Dial plate: aluminum, with pointer stop, white background, black marking for single scale, black and red marking for dual scale

Pointer: Black aluminum, micro-adjustable for 4" and 6"

Bourdon tube: AISI 316L stainless steel

< 100bar: C-type

≥ 100bar: helical type

Movement: AISI 304 stainless steel

Process connection: AISI 316 stainless steel, laser welding with gauge case

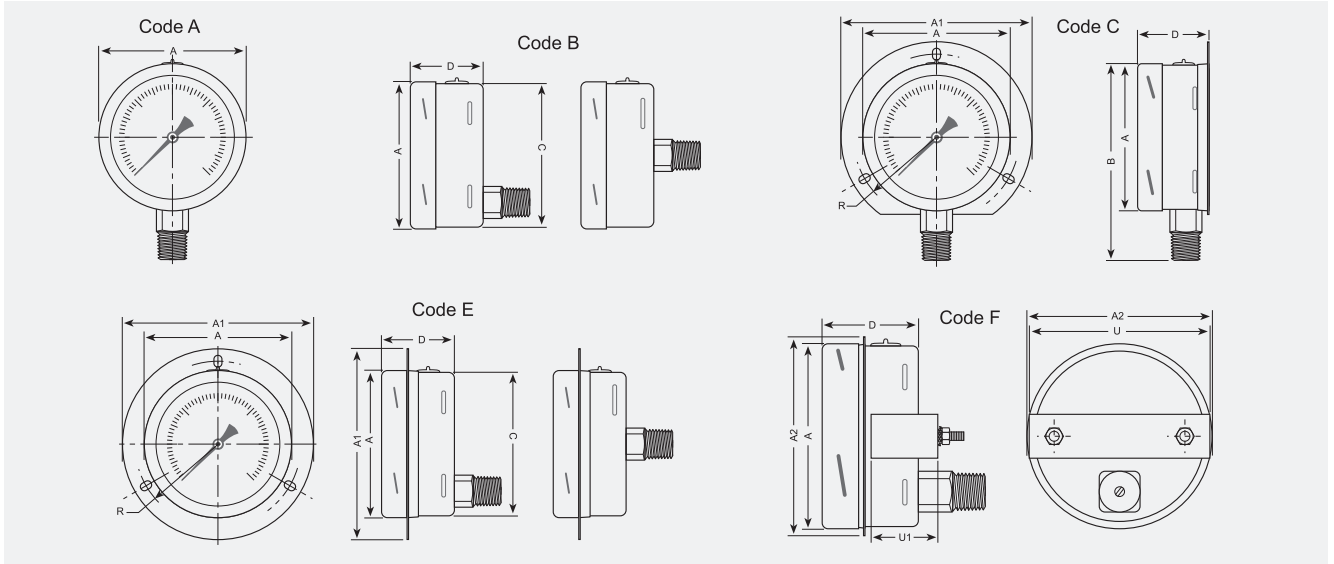
63mm with G1/4" B male

100mm, 150mm and 160mm with G1/2" B male

Options:

- NPT, BSPT or other process connection thread
- Restrictor (RS)
- Special face design
- Glycerin 99.5% filled (GF)
- Silicone oil filling (SF)
- Refrigeration Scale (RF)
- Ammonia NH3 scale (AM)
- Blow-out rubber at back of 100mm and 150mm case (BO)
- Compensation oil cap for Range up to 16bar (CO)
- 160mm dial size (160)
- Laminated safety glass window (SF)

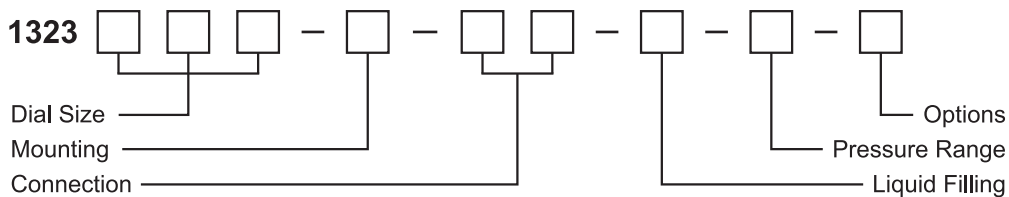
Dimension drawing



DIAL SIZE	A	A1	A2	B	C	D	R	U	U1
2.5"	Ø 63.5	Ø 88	Ø 70	85	Ø 62	32	36.92	91.5	18
4"	Ø 101	Ø 131	Ø 108	134	Ø 99	49	58.75	105	32
6"	Ø 149	Ø 193	Ø 157	186	Ø 147	49.5	88.13	154	32
6"	Ø 161	/	/	199	Ø 158	51	/	/	/

Specification and dimension in this catalogue shown the state of engineering standard at printing period, can be changed without prior notice

How to order:



Code Dial Size

063	63mm (2.5")
100	100mm (4")
150	150mm (6")
160	160mm (6")

Code Connection

1	NPT	1	1/8"
2	BSP	2	1/4"
3	BSPT	3	3/8"
		4	1/2"

Code Liquid Filling

D	Dry but fillable
G	Glycerine filled
S	Silicone oil filled

Code Mounting

- 1 Bottom
- 2 Back
- 4 Bottom with back flange
- 5 Back with front flange
- 6 Back with U-clamp

Pressure Range

See Standard Pressure Ranges

Options

See options