

## **1320 SERIES STANDARD LIQUID FILLABLE GAUGE WITH DIN BAYONET RING MODEL:1320**



### **Applications:**

1320 series pressure gauge is for heavy industrial applications where the media or the environment contains chemically aggressive substances. The gauge is filled with liquid for dampening mechanical vibrations.

### **Specifications:**

#### **Nominal sizes:**

2.5", 4", 6"

#### **Accuracy:**

2.5" : +/- 1.6%

4", 6" : +/- 1.0%

#### **Connection:**

NPT 1/4" for 2.5"

NPT 1/2" for 4", 6"

#### **Scale Range, according to EN 837-1/5**

Pressure ranges: 0 to 0.6/1/1.6/2.5/4/6/10/16/25/40/60/100/160/250/400/600/1000 bar

Vacuum range: -1 to 0 bar

Compound pressure: -1 to 0.6/1.5/3/5/9/15/24 bar

#### **Operating Temperature:**

Ambient: -40°C to 60°C, medium: 200°C maximum

#### **Material Specification:**

Case : 304 stainless steel case and flat bayonet ring Window: laminated safety glass

Wetted parts: 316 stainless steel bourdon tube and connection, TIG welding between case

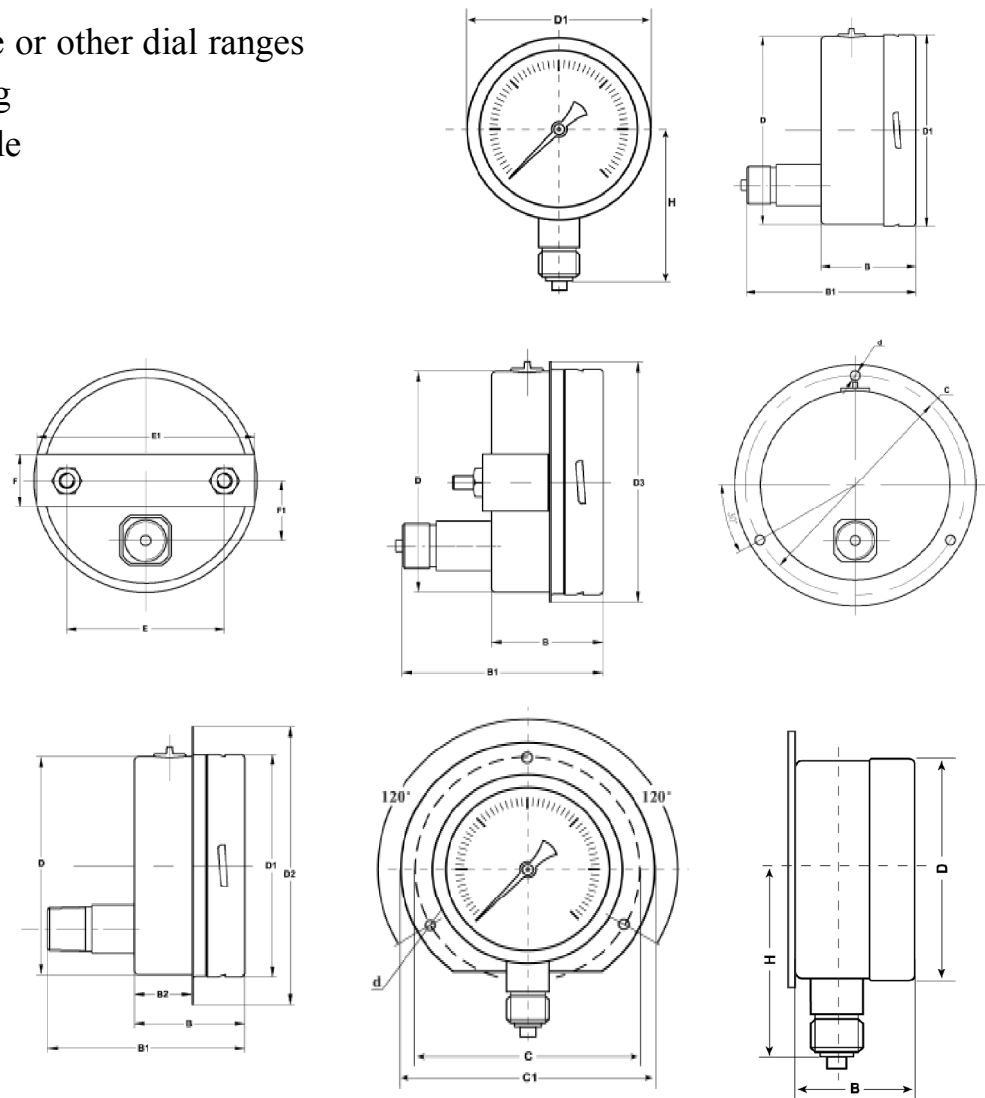
and connection, square connection  
 Movement: 304 stainless steel  
 Standard filling: glycerin



**Options:**

- NPT, BSPT or other process connection
- Restrictor
- Double dial range or other dial ranges
- Silicone oil filling
- Refrigeration scale

**DIMENSION:**



DIAL SIZE	D	D1	D2	D3	H	B	B1	C	C1	E	E1	F	F1	d
2.5"	62	64	85	--	54	34	57	∅77	∅85	--	--	-	--	∅3.5
4"	99	101	128	107.5	83	50	83	∅118.5	∅128	76	76	25.5	29	∅5
6"	147	149	--	--	108	50	83	∅161	∅181	--	--	--	--	∅5

dimensions are approximate and can be changed without prior notice