

1201 SERIES STANDARD LIQUID FILLABLE GAUGE WITH CRIMPED RING MODEL:1201



Applications:

1201 series pressure gauge is for light industrial applications requiring damping. Furthermore, this type is only suitable for gases and liquids that do not attack the brass measuring system.

Specifications:

Nominal sizes:

1.5", 2", 2.5", 4"

Connection:

BSP 1/4" for 1.5", 2", 2.5"

BSP 1/2" for 4"

Scale Range, according to EN 837-1/5

Pressure ranges: 0 to 0.6/1/1.6/2.5/4/6/10/16/25/40/60/100/160/250/400 bar

Vacuum range: -1 to 0 bar

Compound pressure: -1 to 0.6/1.5/3/5/9/15/24 bar

Operating Temperature:

Ambient: -40°C to 60°C, medium: 60°C maximum

Material Specification:

Case : 304 stainless steel case and crimped ring Window: polycarbonate

Wetted parts: copper alloy bourdon tube and brass connection,

Movement: brass

Standard filling: glycerin

Options:

NPT, BSPT or other process connection

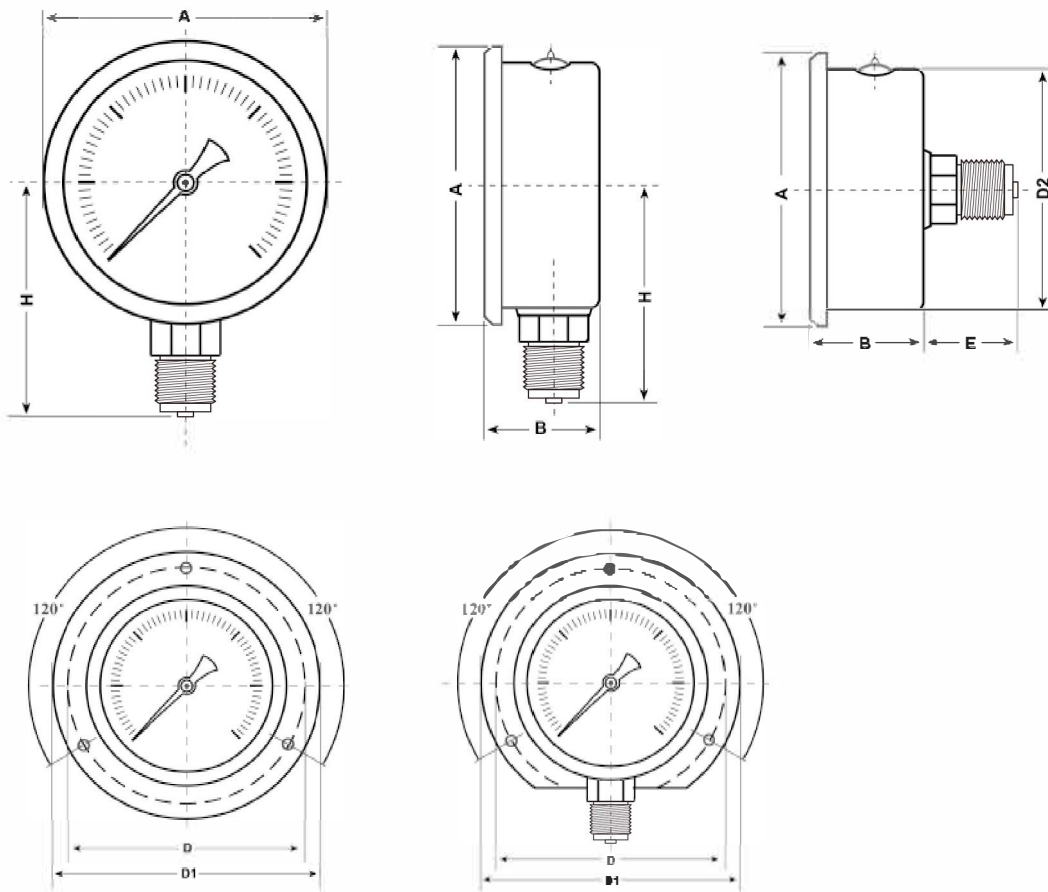
Restrictor

Double dial range or other dial ranges

Silicone oil filling

Refrigeration scale

DIMENSION:



DIAL SIZE	A	B	H	E	D	D1	D2
1.5"	Ø44.4	25		18			41
2"	Ø59.3	29.7	49.5	25	--	--	--
2.5"	Ø68	29.8	54.5	25	74	88	62
4"	Ø109	35.5	74	33	118	131	98

dimensions are approximate and can be changed without prior notice